

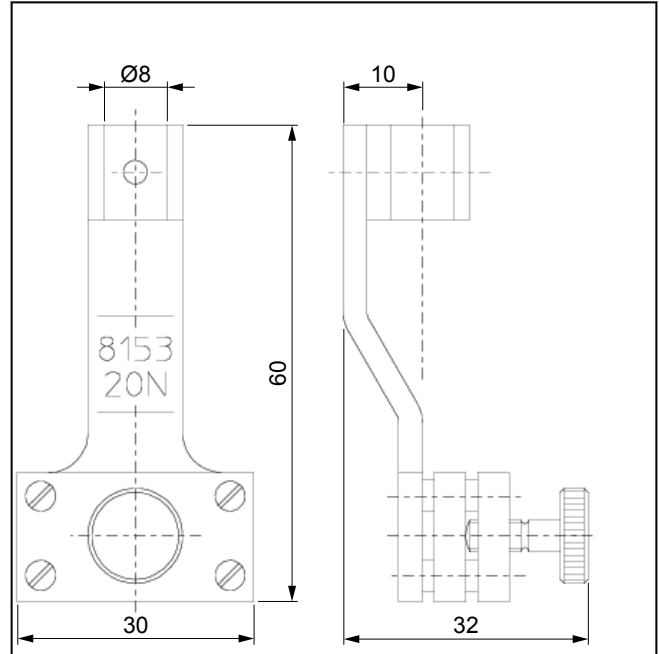
Product Information

Screw grips, Type 8153, Fmax 20 N and Fmax 20 N submersible

CTA: 294172 31911



Type 8153 screw grips, Fmax 20 N



Type 8153 screw grips, Fmax 20 N: general view

Applications

- Specimen material
Metal, plastics, textile, paper
- Specimen shape:
Round and flat specimens, sealed and glued specimens
- Type of loading
Tensile

These screw grips are submersible and suitable for use in liquids. They can therefore also be used in a fluid bath for medical engineering tests.

Function description

This screw grip is a one-sided closing specimen grip. A lead screw is used to open and close the grips, as well as apply gripping force before the test.

The opposing jaw of the specimen grip is fixed.

The jaws are fixed to the base body.

Advantages and features

- The lightweight design of the grips allows extensive use to be made of the load cell measurement range.
- The grips are easy to operate in a temperature chamber and reach the test temperature quickly thanks to their very low mass.

Product Information

Screw grips, Type 8153, Fmax 20 N and Fmax 20 N submersible

Technical data

Type	8153	8153	
Item No.	313348	002788 ¹⁾	
Test load F _{max}	0.02	0.02	kN
Dimensions			
Height	60	60	mm
Width	30	30	mm
Depth	32	32	mm
Specimen dimensions			
Flat specimen, thickness	0 ... 3	0 ... 3	mm
Opening width with jaws	3	3	mm
Gripping of the specimen	The specimen must be gripped with at least 3/4 of the jaw height.		
Weight per specimen grip, approx.	35	50	g
Connection, stud	Ø 8	Ø 8	mm
Ambient temperature	-70 ... +250	-70 ... +250	°C
Scope of delivery	2	2	pieces
Jaws supplied			
Surface	Aluminum, smooth	Steel, smooth	
Clamping surface			
Height	16	16	mm
Width	20	20	mm
Hardness	Not hardened	Not hardened	

1) This specimen grip can be submersed and used with liquids.